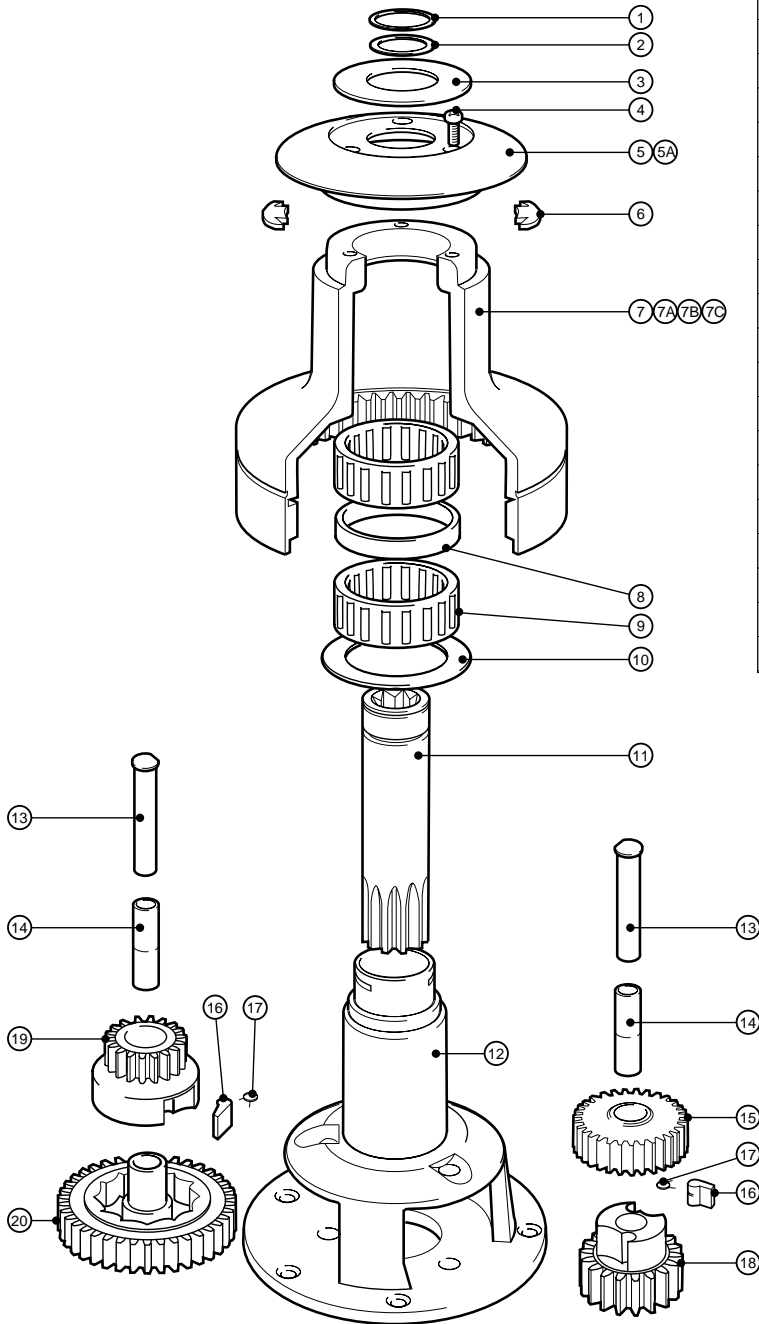


No. 43 – 2 SPEED WINCH



Item	Description	Part Number	No. Off
1	Circlip	B2075	1
2	Washer	15000684	1
3	Top Cap	45001700	1
4	Pan HD Posidriv Screw M5 x 12mm Long	B0325	3
5	Crown (Grey)	45001709	1
5a	Crown (Black)	45001708	1
6	Collet	15001430	2
7	Drum Alloy (Grey)	45001714	1
7a	Drum Alloy (Black)	15000411	1
7b	Drum Bronze	15000666	1
7c	Drum Chrome	15000410	1
8	Spacer	15010008	1
9	Roller Bearing Assembly	15010007	2
10	Drum Washer	15034638	1
11	Main Spindle	15000832	1
12	Centre Stem	18000534	1
13	Gear Spindle	15000422	2
14	Gear Spindle Sleeve	15000398	4
15	Ratchet Gear	15000418	1
16	Pawl	1260/8	4
17	Pawl Spring	1260/7	4
18	Pawl Gear	15000397	1
19	Pawl Gear	15000419	1
20	Ratchet Gear	15000417	1